



Glasswashers_Dishwashers

FAST

135

139

145

160

161

181

 **ELETTROBAR**

The Benefit Makers

ELETTROBAR

the benefit makers



FAST

Over the decades of our long-lasting history we have manufactured over half a million industrial dishwashers. This unique experience is the foundation of our success: indeed, it allows us to continuously develop our design and production capacity to offer food service professionals products that give real and consistent benefits to those who use them, at competitive prices.

We are aware that the problems linked to the environment are becoming increasingly important and each of us has to do our own part in reducing those problems. Elettrobar products therefore utilize cutting edge technology, much of which is patented, in order to reduce the consumption of water, energy and chemical products. A helping hand for the planet and a consistent economic gain for you.



First benefit: performances

The machines of the Fast line have been designed to offer the highest level of washing performance occupying the least space possible in the kitchen and reducing the consumption of water, energy and detergent, as well as running costs. Many of the excellent washing results obtained are the result of the exclusive Elettrobar technological arm. Developed after thorough studies into fluid dynamics, it is made of resistant composite material that has made it possible to develop shapes "designed by the water".

This way, power losses are reduced, and most of the pump energy is used for removing dirt. Furthermore this component is so light that it is possible to strike a higher number of times the dishes to be washed with a powerful jet of water in the same laps of time compared to a conventional steel arm. Each type of machine features an arm optimised in relation to the size of the Rack.

Second benefit: easy to use

The proven and tested electromechanical control system is based on the "one button, one function" principle and allows intuitive use of the machine. This way training personnel becomes extremely fast

and effective, minimising the possibility of mistakes even if staff turnover is high. Elettrobar offers a comprehensive range of specialised racks so that it is possible to wash all types of objects in the most appropriate way, considerably improving the effectiveness of the process and reducing the possibility of breakage even for the most fragile items.

FAST



SISERT

CERTO

SISTEMA DI GESTIONE
QUALITÀ CERTIFICATO
UNI EN ISO 9001:2008

Third benefit: easy to clean

Machine cleaning operations at the end of the shift are certainly the most fatiguing and stressful for operators and Elettrobar has actively endeavoured to simplify this unpleasant task as much as possible: the number of components in the washing chamber has been reduced to the minimum to avoid creating areas where dirt can collect, the tank bottom is drawn with a particular profile that carries the water and dirt towards the drain, all dishwashers are fitted with surface filters that withhold the coarsest particles, the washing arms are easily removable for inside inspection due to their clip fastening system.

Fourth benefit: reliability

During over 40 years of activity the Eurotec group has produced over 800,000 dishwashers, building up unrivalled experience in this specific product segment. This expertise is put to good use in two state-of-the-art production plants that implement advanced planning systems like Kanban, the quality system certified some time ago according to standards ISO 9001:2008.

The Elettrobar products are distributed only through a network of skilled and selected dealers who receive product training directly from our company. Spare parts are distributed by Eurotec Service, the specialised division of the Eurotec group, in order to ensure immediate deliveries and low prices.

FAST 135 135H



Fast 135 e 135 H

Extremely compact and inexpensive glasswashers that offer the possibility to choose between two types of racks (square or round) and two door heights (23 or 29 cm) to perfectly adapt to your needs. The available models with built-in water softener brilliantly solve the problem of scaling without the need of extra space. The 120-second wash cycle is an efficient compromise between productivity and capability to deal with even the most stubborn dirt. Both models are fitted with a double coaxial pump filter and an integrated high-performance washing unit.



Datasheet

		Fast 135	Fast 135 H
Size (w x d x h)	cm	40 x 48 x 59	40 x 48 x 65
Rack size	cm	35 x 35	35 x 35
Useful opening	cm	23	29
Maximum glasses height	cm	19	25
Tank volume	lt	9	9
Wash cycle time	sec.	120	120
Water consumption per cycle	lt	2,2	2,2
Max. power at 230 V monophase	Kw	3,5	3,5
Inlet water temperature	°C	50	50
Rinse aid dispenser		standard	standard
Detergent dispenser		kit	kit
Drain pump		kit	kit

Versions:

- With softener
- With round rack

Standard equipment:

- 2 glass racks - 1 cutlery insert

FAST 139 145



Fast 139

Compact glasswasher that offers the possibility to choose between two types of racks (square or round) while the useful door height is 29,5 cm, which makes it possible to wash glasses up to a height of 25.5 cm. The available model with built-in water softener brilliantly solves the problem of scaling without the need of extra space. The 120-second wash cycle is an efficient compromise between productivity and capability to deal with even the most stubborn dirt, while the firm upper wash ramps allow to wash also dishes (9 with a diameter of 23,5 cm) when using a special optional rack .

Fast 145

Compact glasswasher / dishwasher with a useful door height of 28 cm, which makes it possible to wash glasses with a height up to 25.5 cm; compared with the Fast 139 productivity is increased by 35% due to the larger size of the rack . The available model with built-in water softener that brilliantly solves the problem of scaling without the need of extra space. The 180-second washing cycle is an efficient compromise between productivity and capability to deal with even the most stubborn dirt, while the firm upper wash ramps allow to wash also dishes (14 with a diameter of 24 cm or 7 with a diameter of 27 cm) when using a special optional rack .

Datasheet

		Fast 139	Fast 145
Size (w x d x h)	cm	44 x 54 x 67	53 x 56 x 71
Rack size	cm	38,5 x 38,5	45 x 45
Useful opening	cm	29,5	28
Maximum glasses height	cm	25,5	25,5
Maximum dish diameter	cm	23,5	24
Tank volume	lt	9	24
Wash cycle time	sec.	120	60 - 180
Water consumption per cycle	lt	2,2	2,9
Max. power at 230 V monophase	Kw	3,5	2,9
Inlet water temperature	°C	50	50
Rinse aid dispenser		standard	standard
Detergent dispenser		kit	kit
Drain pump		kit	kit

Versions:

- With softener
- With round rack (Fast 139 only)

Standard equipment:

- Fast 139: 2 glass racks - 1 cutlery insert
- Fast 145: 1 glass rack - 1 rack for dishes - 1 cutlery insert

FAST 160 161



Fast 160

Compact dishwasher with a useful door height of 34.5 cm, which makes it possible to wash dishes up to a diameter of 33 cm and glasses up to a height of 30.5 cm. Beside the model with built-in water softener that brilliantly solves the problem of scaling without the need of extra space, there is also a model that comes with a built-in drain pump as standard. The two wash cycles, one of 60 and one of 180 seconds allow you to adapt consumption to the type of dirt to be dealt with. The integral tank filter with which this model is fitted withholds the coarsest particles of dirt improving the washing results and speeding up machine cleaning operations at the end of the day.

Fast 161

Compact dishwasher with a useful door height of 34.5 cm, which makes it possible to wash dishes up to a diameter of 33 cm and glasses up to height of 30.5 cm; Beside the model with built-in water softener that brilliantly solves the problem of scaling without the need of extra space, there is also the one with that comes with a built-in drain pump as standard. The two wash cycles, one of 60 and one of 180 seconds allow you to adapt consumption to the type of dirt to be dealt with. The integral tank filter with which this model is fitted withholds the coarsest particles of dirt improving the washing results and speeding up machine cleaning operations at the end of the day. The Fast 161 is equipped with a powerful 4.9 kW three-phase boiler and the Thermostop system to allow supply with cold water.

Datasheet

		Fast 160	Fast 161
Size (w x d x h)	cm	58 x 60 x 83	58 x 60 x 83
Rack size	cm	50 x 50	50 x 50
Useful opening	cm	34,5	34,5
Maximum dish diameter	cm	33	33
Maximum glasses height	cm	30,5	30,5
Tank volume	lt	30	30
Wash cycle time	sec.	60 - 180	60 - 180
Water consumption per cycle	lt	2,9	2,9
Max. power at 400 V three-phase	Kw	3,6	5,5
Max. power at 230 V three-phase	Kw	3,6	5,5
Max. power at 230 V monophase	Kw	3,6	3,6
Inlet water temperature	°C	50	15
Rinse aid dispenser		standard	standard
Detergent dispenser		kit	kit
Drain pump		kit	kit

Versions:

- With softener
- With built-in drain pump

Standard equipment:

1 rack for dishes - 1 glass rack - 1 cutlery insert

FAST 181



Fast 181

Extremely user-friendly and functional hood machine that incorporates a number of technical features such as the smooth lifting hood, simple and effortless to use. The large pass-through height of 40 cm enables it to wash Gastronorm trays, and also corner installation is possible without the use of additional components. A pipe free wash chamber and a tank with integral surface filter, speed up and simplify cleaning operations at the end of the day. The powerful built-in boiler with a 8 kW flanged heating element and the Thermostop system allow supply with cold water.



Datasheet

		Fast 181
Size (w x d x h)	cm	71 x 74 x 150
Rack size	cm	50 x 50
Useful opening	cm	40
Maximum dish diameter	cm	42
Tank volume	lt	20
Wash cycle time	sec.	60 - 120
Water consumption per cycle	lt	2,9
Max. power at 400 V three-phase	Kw	8,8
Inlet water temperature	°C	15
Rinse aid dispense		standard
Detergent dispenser		kit
Drain pump		kit

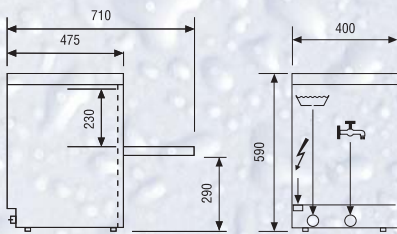
Standard equipment:

1 rack for dishes - 1 glass rack - 1 cutlery insert

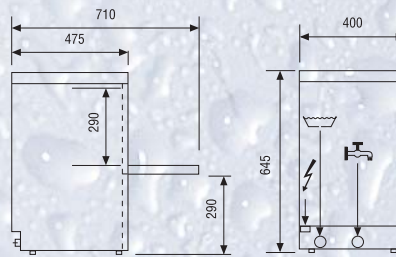


INSTALLATION DIAGRAM

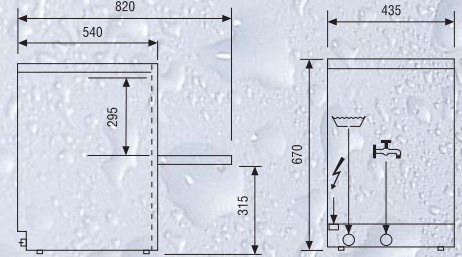
Fast 135



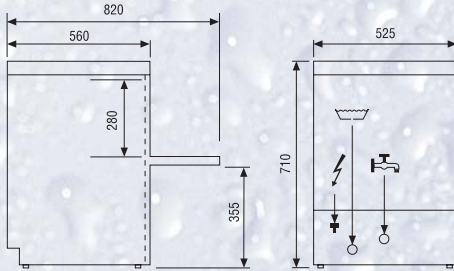
Fast 135 H



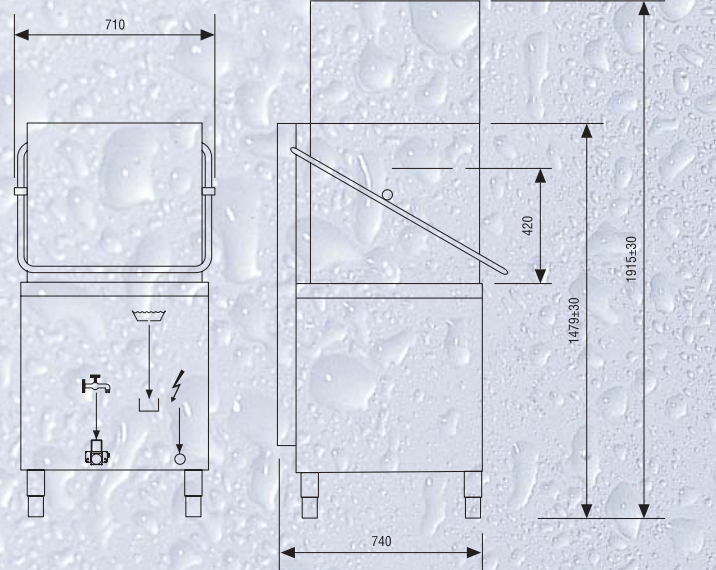
Fast 139



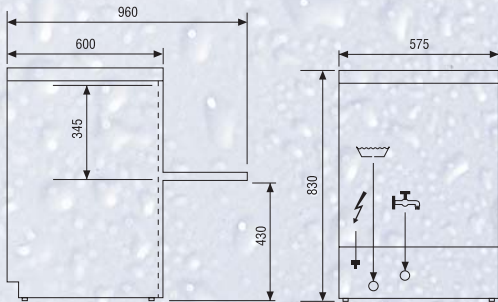
Fast 145



Fast 181



Fast 160 - Fast 161



	Ø 50 mm M
	Ø 3/4" GAS M

The data contained in this trade document, in particular those related to consumption, refer to machines operating under ideal circumstances, and may differ in the real situations according to the conditions and way of installation, use and connections to the power/water network.

ELETTROBAR



EUROTEC s.r.l. - divisione ELETTROBAR - 37045 San Pietro di Legnago (VERONA) ITALIA - Tel. 0442 634311 - Fax 0442 629132
e-mail: elettrobar@eurotec.it - www.elettrobar.eurotecgroupp.com